

BRE feeder

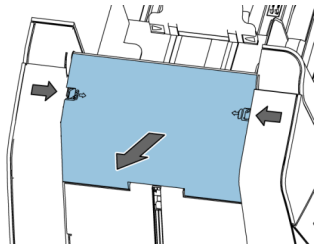
Installation of the optional BRE feeder

1 Installation

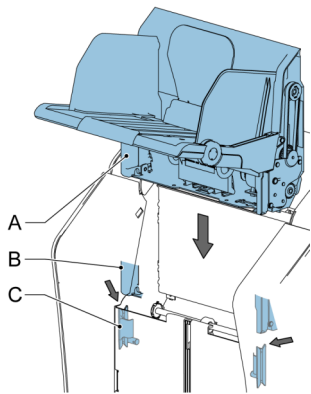
Install the (optional) BRE Feeder

The BRE feeder is an option for the DS-65. To install the BRE feeder proceed as follows:

1. Unpack the BRE feeder. Follow the Unpacking Instruction delivered with the BRE feeder box.
2. To place the BRE feeder you have to remove the cover plate from the system. Push the pins and pull the cover plate from the system (see figure).



3. Slide the BRE feeder into the system. Ensure that the slide guides **A** from the BRE feeder slide into the system guides **B** and **C**. Push down until you feel that the BRE feeder is securely installed.



The BRE feeder is now ready to use. Next time you start the system the following message will appear: Configuration Changed. Press **[OK]** and continue.